

Primary - Backup. (VM-FT)

Motivation

Layer

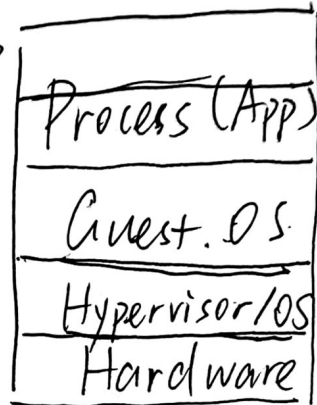
self-supported

black-box

CoApp

CoVM

Crane



e.g. apache
mysql

linux

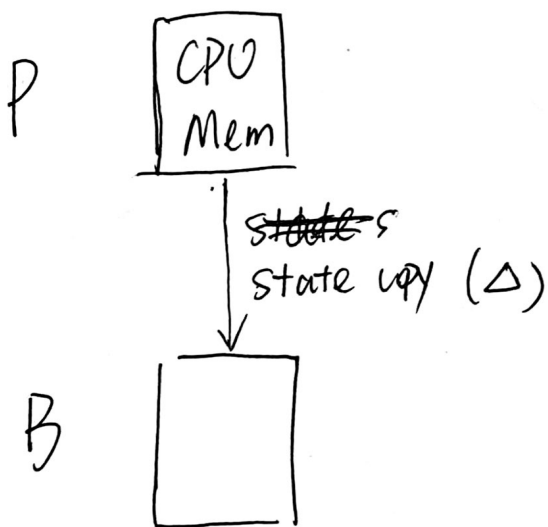
kvm/xen

x86

VM-FT.

e.g. GFS Master.

Approach 1.



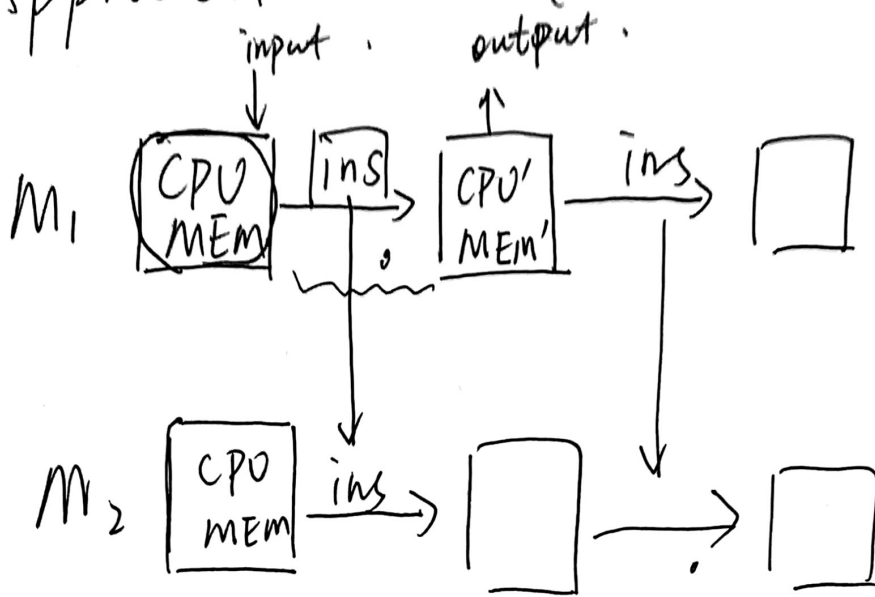
Pro :

Simple.

Con :

Slow (Large)

Approach 2. (State Machine)



Pro: Efficient / transparent.

Con: Harder Imple.

- ① DMA
- ② deterministic
- ③ output consistency

Determinism

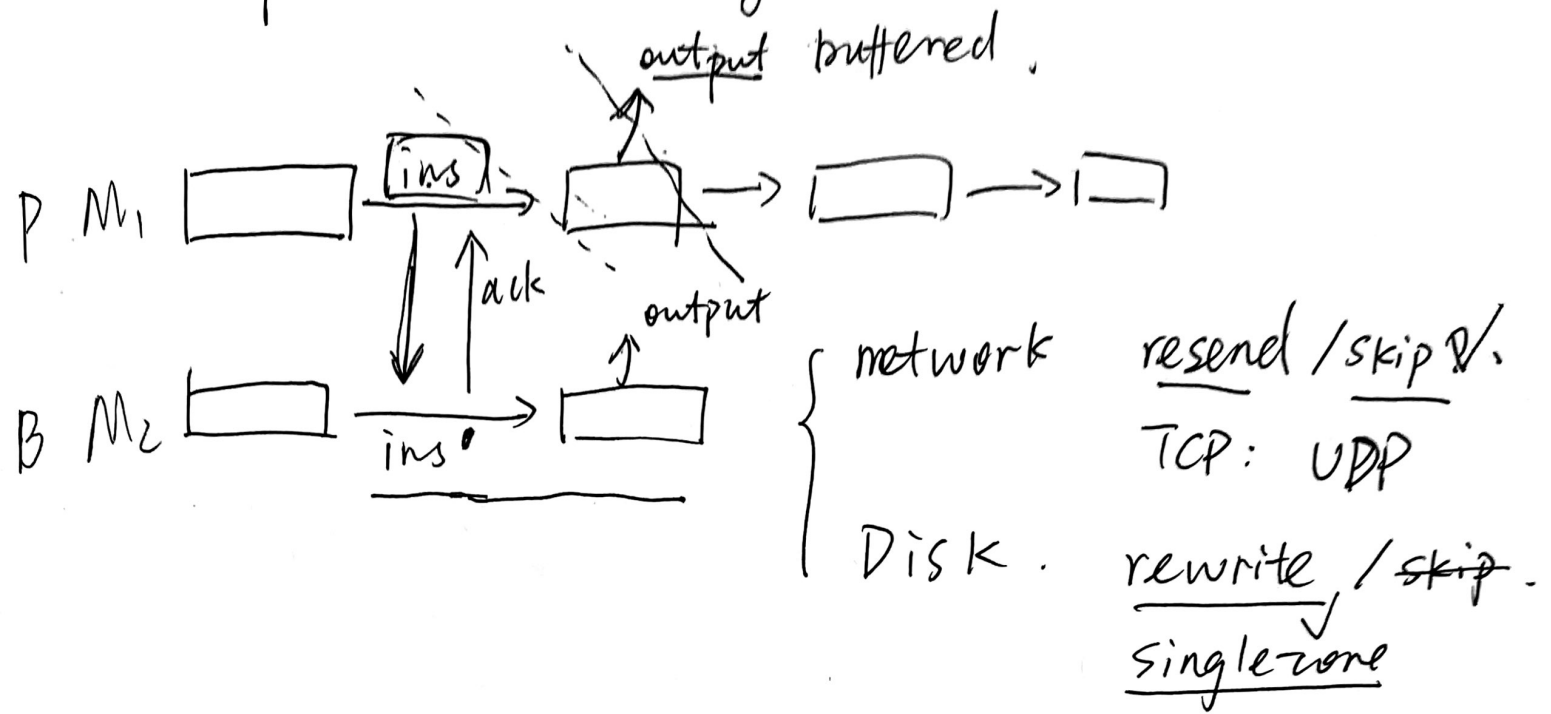
clock. (record)

DMA disk/network: Async \rightarrow Sequential

Multi-core. (No support!)

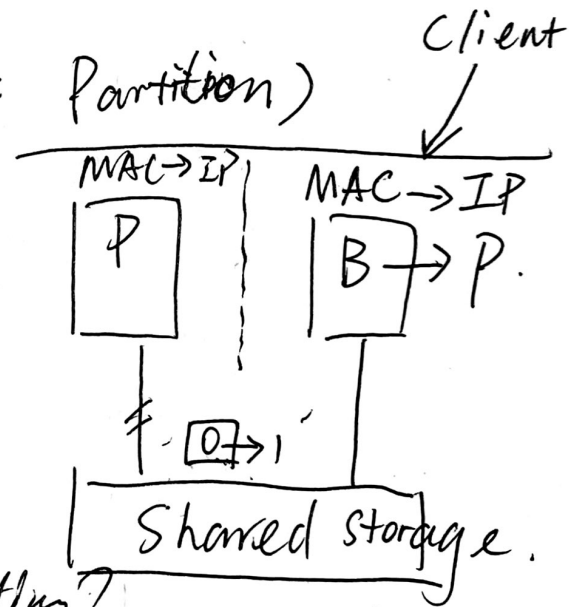
schedule

Output Consistency



"Split-Brain" (Network Partition)

- Failure Detector.
- Atomic CAS.
- Problem P loses connection?



- ① `God. : reset`
- ② `Lease.`

